



INSTALLATION INSTRUCTIONS

Accessory

SEAT COWL
P/N 08F72-MKN-D50

Application

CB650RA
CBR650RA

Publication No.

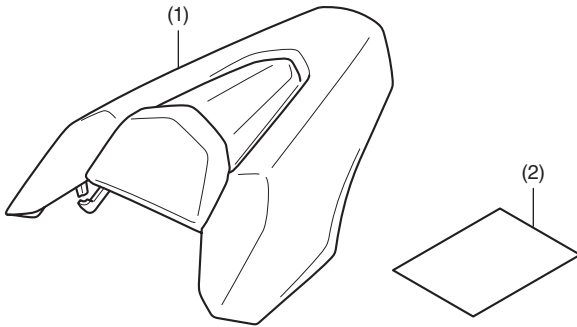
MII

Issue Date

July 2018

Honda Dealer: Please give a copy of these instructions to your customer.

PARTS LIST



| No. | Description | Qty |
|-----|-------------|-----|
| (1) | Seat cowl | 1 |
| (2) | URL paper | 1 |

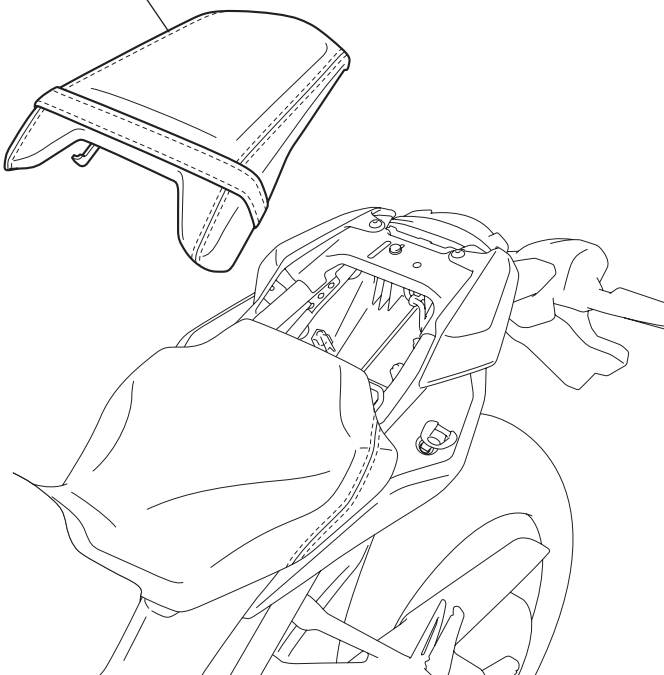
INSTALLATION

▲ CAUTION

- To prevent burns, allow the engine, exhaust system, radiator, etc., to cool before installing the accessory.

- Remove the pillion seat as shown.

PILLION SEAT (Save)



- Install the seat cowl as shown.

- Insert the hook, and then press down the rear side of seat cowl to install.
- After installing, check that the seat cowl is locked securely. Failure to lock the seat cowl securely may cause it to fall off while riding.

